

FUSE SELECTION GUIDE

» *Always for your safety*



Always for your safety



RoHS

COMPANY INTRODUCTION

Zhejiang ETEK Electrical Technology Co., Ltd. (Abbreviation: ETEK Electric) is a professional manufacturing company dedicated to the research, development, production, and sales of low-voltage electrical appliances. The company was established in 2011 and is located in Wenzhou City, Zhejiang Province. At present, the company has 40K sqm of modern manufacturing bases in Wenzhou and Wuhu with over 500 employees, including over 50 R&D and technical personnel. ETEK Electric has multiple production workshops for mold design, parts manufacturing, welding, and assembly. Additionally, they have multiple automated production lines for MCB and RCCB. Our products include MCB, RCCB, RCBO, AFDD, MCCB, ACB, EV Chargers, Photovoltaic DC products, etc., which can meet the needs of different countries and are widely used in fields such as residential, commercial, and industrial.

ETEK Electric has passed ISO9001 quality management system and environmental management system certification. The company have built our own low-voltage electrical testing center, and most of the testing items can meet the requirements of international IEC standards, in addition, our products have obtained international CB, TUV, VDE, CE, RoHS and other quality certificates.

ETEK Electric constantly masters and breaks through the core technology of circuit breakers, with more than 100 national patents. Focusing on independent brand construction is crucial for the company's development. The "ETEK" trademark is registered in over 80 countries. Products are exported to over 60 countries and regions including the European Union, South America, the Middle East, Africa, and Southeast Asia.

We also support OEM, ODM, OBM, SKD, CKD and other business cooperation models, and provide customers with a full range of services covering market cultivation, technical training, and factory construction.

ETEK Electric has been adhering to the business policy of "Growth", "Quality", "Efficiency", and "Innovation". In 2023, ETEK Electric has formulated the fifth 3-year strategic plan, which specifies the three major initiatives of expanding the production scale, enhancing the new energy market share, and expanding the independent brand, to realize the annual revenue target of \$50 million by 2026.

Looking forward to the future, ETEK Electric will be committed to becoming a globally renowned manufacturer in the power distribution and electrical industry, safeguarding the power safety of global customers, and helping the development of green and digital energy.



Wenzhou Factory

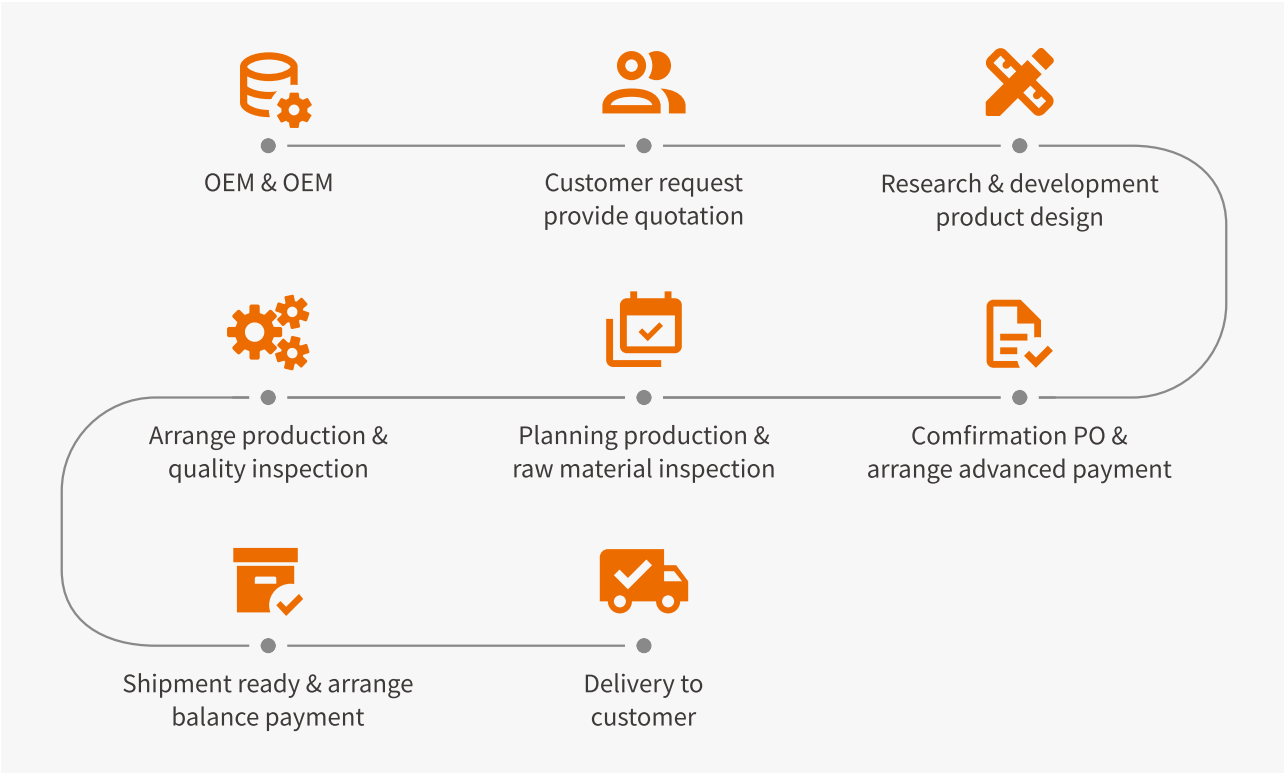


Wuhu Factory

WORKSHOPS



OEM & ODM BUSINESS



CONTENTS

NH Fuse Series

NH00C 2-100A	02
NH00 50-160A	03
NH0 20-160A	04
NH1 50-250A	05
NH2 250-400A	06
NH3 315-630A	07
NH4 500-1250A	08

Photovoltaic Fuse Series

EKPV-H00 32-100A	12
EKPV-H1 50-160A	13
EKPV-H2 125-250A	14
EKPV-H3 250-400A	15
EKPV-H1XL 63-200A	16
EKPV-H2XL 125-250A	17
EKPV-H3L 250-400A	18
Cylindrical Fuse Link 1000VDC EKFL10D10 2-32A	20
Cylindrical Fuse Link 1500VDC EKFL15D10L 2-35A	21
Cylindrical Fuse Link 1500VDC EKFL15D14L 25-50A	22
PV Fuse Holder 1000VDC EKFL1-10(X)PV-10	24
PV Fuse Holder 1000VDC EKFL1-10(X)PVH-10	25
PV Fuse Holder 1500VDC EKFL1-15(X)PV-10L/14L	26

NH Fuse Links Overview

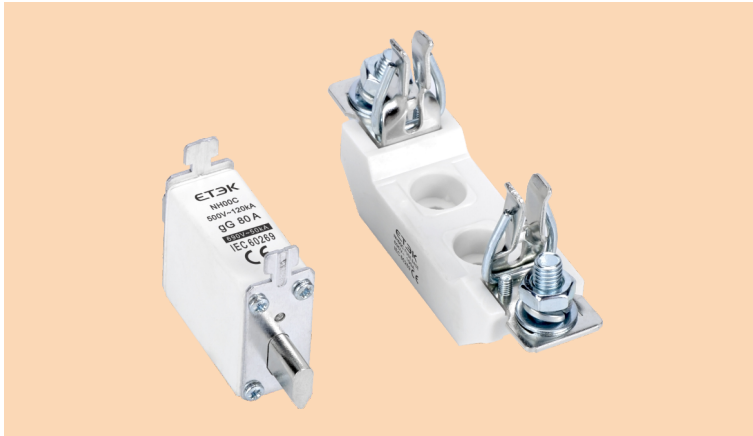


NH fuses, also known as NH Knife Blade Fuses or DIN NH Blade Fuses, They were primarily designed as general-purpose fuses for the protection of conductors. These fuses conform with IEC 60269 standards. It is important to note that NH fuses are one-time fuses, which means that once they have blown, they must be replaced with a new fuse that has the same characteristics.

Different types and applications of NH Fuse links

Application	Type	NH Fuse Size	Voltage
General Purpose	gL / gG	000 to 4a	500VAC to 690VAC
Motor protection	aM	000 to 4a	500VAC to 690VAC
Semiconductor protection	aR / gR	000 to 3	690V AC/DC
Semiconductor protection	aR / gR	000 to 3	1000V AC/DC
Solar PV protection	gPV	00 to 3	1000VDC
Battery protection	gS	000 to 3	440VDC to 550VDC

aR, gR	Protection of semiconductor devices, Very Fast Acting fuse
gL, gG	General Purpose, Fast Acting fuse
aM	Motor Protection, Slow Acting fuse
gPV	Protection of solar photovoltaic arrays
gS	Protection of Batteries



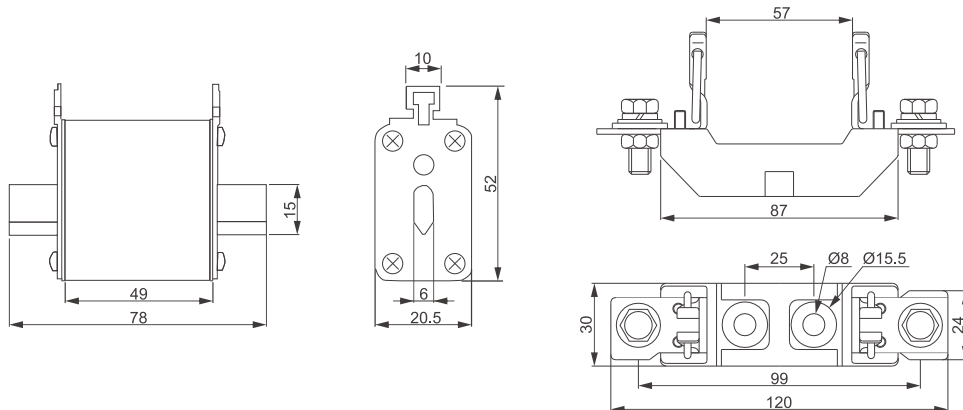
General

- Rated voltage: 500VAC, 690VAC
- Rated current: 2A~100A
- Breaking capacity: 120kA(500VAC), 50kA(690VAC)
- Rated frequency: 50Hz
- Utilization category: gG/gL
- Pollution level: Level 3
- Installation category: Class III

Main Technical Data

Model	Equivalent models	Rated current (A)	Rated voltage (V)	I ² t (A ² Sec)		Power loss (W) 1.0In
				Pre-arcing	Total at 500V	
NH00C-2A	RT16-000 NT00C RT20-000 RO30A 3NA3	2	500 690	3	6	3.9
NH00C-4A		4		6	12	1.8
NH00C-6A		6		14	21	2
NH00C-10A		10		58	290	1.5
NH00C-16A		16		234	1200	2.3
NH00C-20A		20		490	2500	2.2
NH00C-25A		25		920	4600	3.1
NH00C-32A		32		1800	9000	3.4
NH00C-35A		35		2400	11800	3.7
NH00C-40A		40		3300	16500	4
NH00C-50A		50		5900	29500	4.9
NH00C-63A		63		6300	24900	4.6
NH00C-80A		80		9800	38900	6.3
NH00C-100A		100		18100	72300	7.4

Dimension (mm)





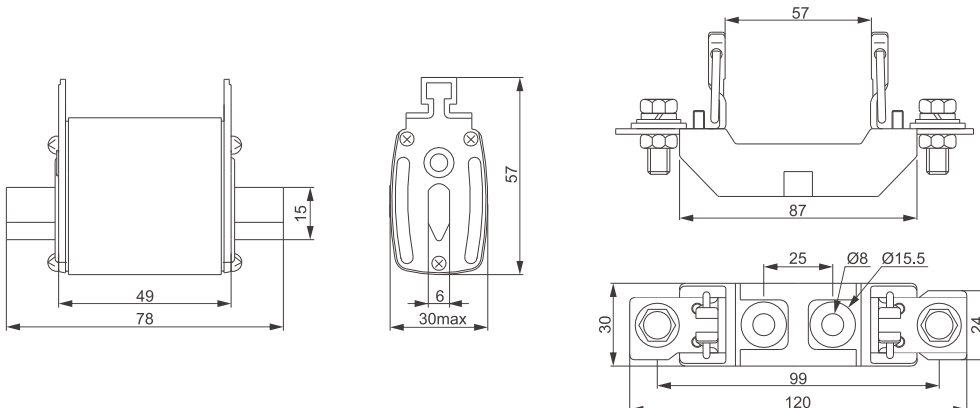
General

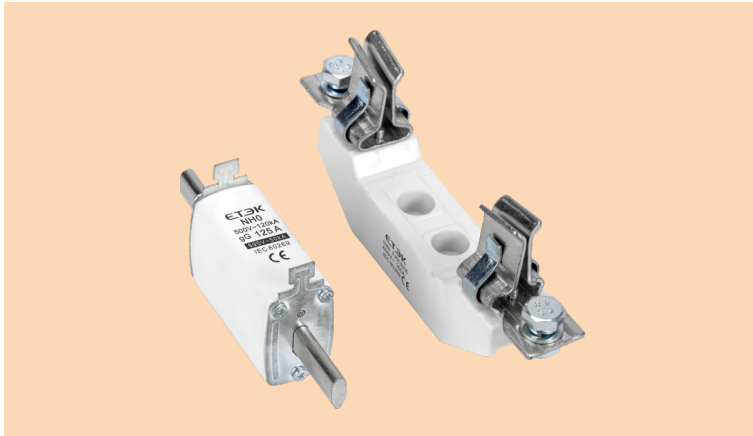
- Rated voltage: 500VAC, 690VAC
- Rated current: 50A~160A
- Breaking capacity: 120kA(500VAC), 50kA(690VAC)
- Rated frequency: 50Hz
- Utilization category: gG/gL
- Pollution level: Level 3
- Installation category: Class III

Main Technical Data

Model	Equivalent models	Rated current (A)	Rated voltage (V)	I ² t (A ² Sec)		Power loss (W) 1.0In
				Pre-arcing	Total at 500V	
NH00-50A	RT16-00 NT00 RT20-00 RO31 3NA3	50	500 690	5800	21500	5
NH00-63A		63		5800	25000	5
NH00-80A		80		11000	35000	7
NH00-100A		100		19000	60000	7.5
NH00-125A		125		25000	125000	10
NH00-160A		160		64000	310000	10

Dimension (mm)





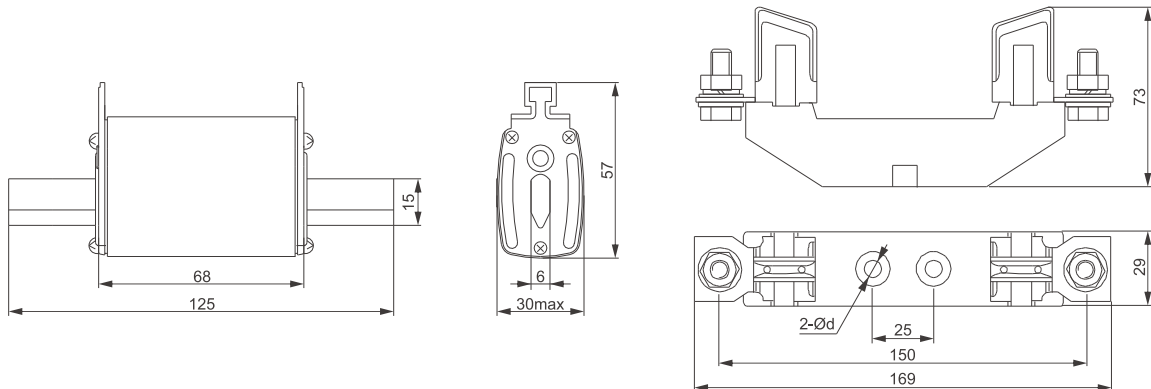
General

- Rated voltage: 500VAC, 690VAC
- Rated current: 20A~160A
- Breaking capacity: 120kA(500VAC), 50kA(690VAC)
- Rated frequency: 50Hz
- Utilization category: gG/gL
- Pollution level: Level 3
- Installation category: Class III

Main Technical Data

Model	Equivalent models	Rated current (A)	Rated voltage (V)	I ² t (A ² Sec)		Power loss (W) 1.0In
				Pre-arcing	Total at 500V	
NH0-20A	RT16-0 NT0 RT20-0 RO31B 3NA3	20	500 690	490	2500	3.5
NH0-25A		25		1200	5600	3.2
NH0-32A		32		1800	9000	4.8
NH0-35A		35		2400	11800	4.7
NH0-40A		40		3300	16500	5
NH0-50A		50		5600	27800	6.3
NH0-63A		63		6600	26100	5.6
NH0-80A		80		9800	38900	7.1
NH0-100A		100		20600	82300	7.5
NH0-125A		125		25000	125000	11.8
NH0-160A		160		62000	310000	12.3

Dimension (mm)





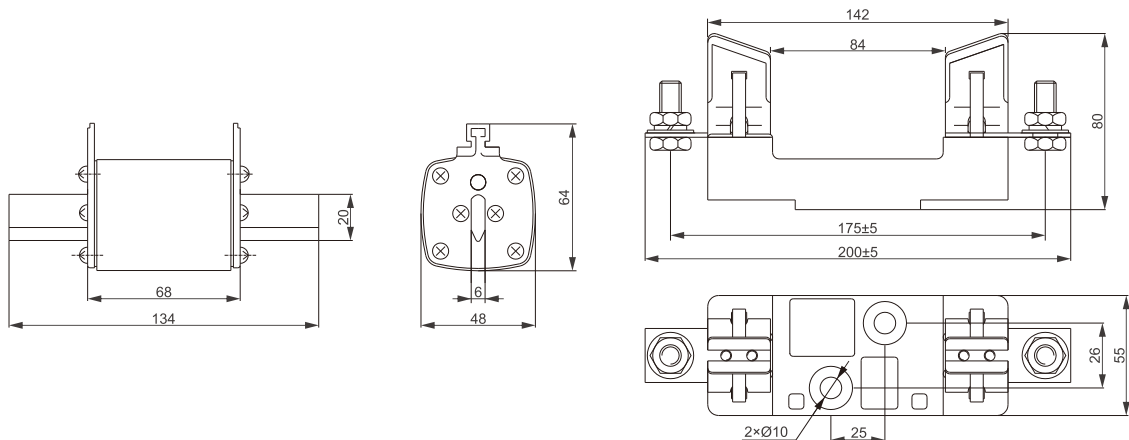
General

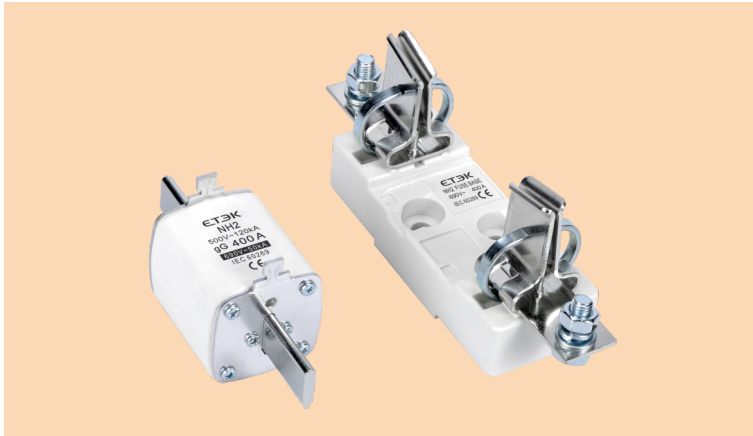
- Rated voltage: 500VAC, 690VAC
- Rated current: 50A~250A
- Breaking capacity: 120kA(500VAC), 50kA(690VAC)
- Rated frequency: 50Hz
- Utilization category: gG/gL
- Pollution level: Level 3
- Installation category: Class III

Main Technical Data

Model	Equivalent models	Rated current (A)	Rated voltage (V)	I ² t (A ² Sec)		Power loss (W) 1.0In
				Pre-arcing	Total at 500V	
NH1-50A	RT16-1 NT1 RT20-1 RO32 3NA3	50	500 690	6350	18000	6.4
NH1-63A		63		6800	23000	5.6
NH1-80A		80		10500	31200	7.7
NH1-100A		100		22000	68200	8.2
NH1-125A		125		29000	82000	13
NH1-160A		160		62000	310000	12.3
NH1-200A		200		97000	368600	15
NH1-224A		224		124000	471200	18
NH1-250A		250		151300	574900	19

Dimension (mm)





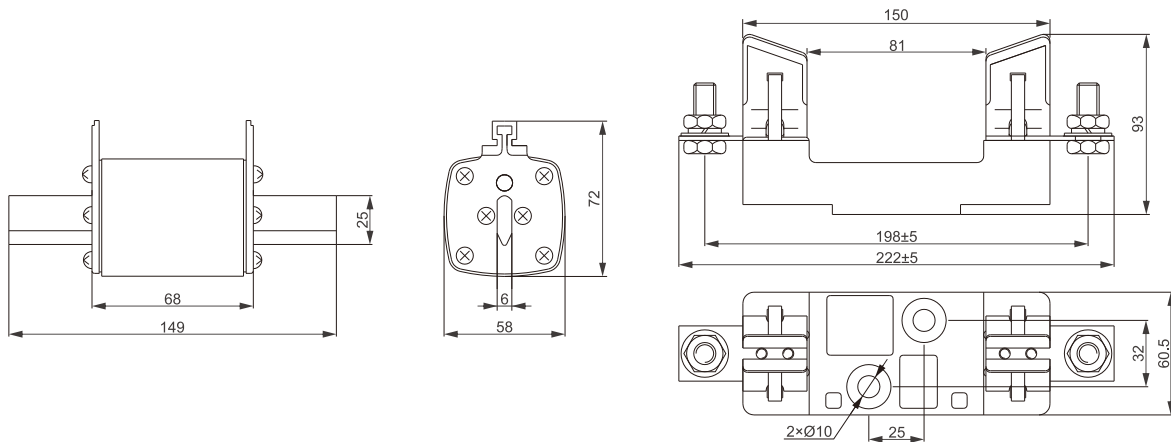
General

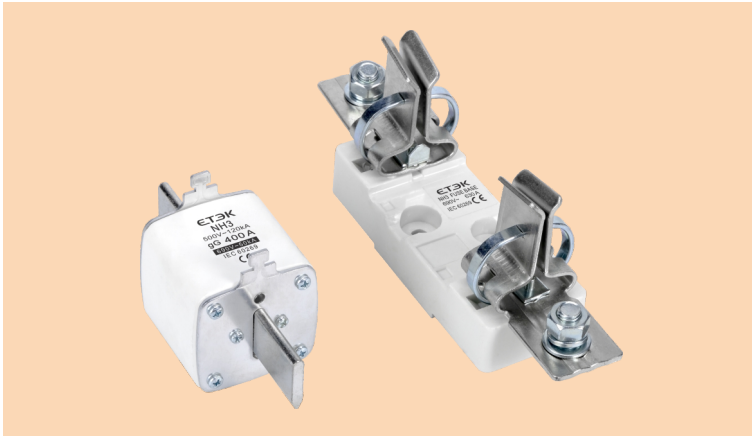
- Rated voltage: 500VAC, 690VAC
- Rated current: 250A~400A
- Breaking capacity: 120kA(500VAC), 50kA(690VAC)
- Rated frequency: 50Hz
- Utilization category: gG/gL
- Pollution level: Level 3
- Installation category: Class III

Main Technical Data

Model	Equivalent models	Rated current (A)	Rated voltage (V)	I ² t (A ² Sec)		Power loss (W) 1.0In
				Pre-arcing	Total at 500V	
NH2-250A	RT16-2 NT2 RT20-2 RO33 3NA3	250	500 690	170000	437000	23
NH2-200A		300		320000	840000	20
NH2-315A		315		361700	1446500	21
NH2-355A		355		446500	1785800	27
NH2-400A		400		642900	2571500	30

Dimension (mm)





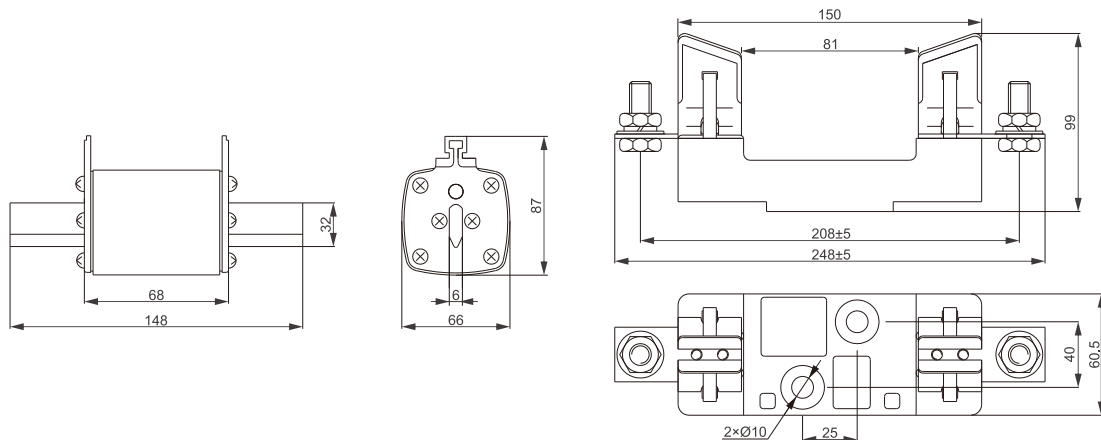
General

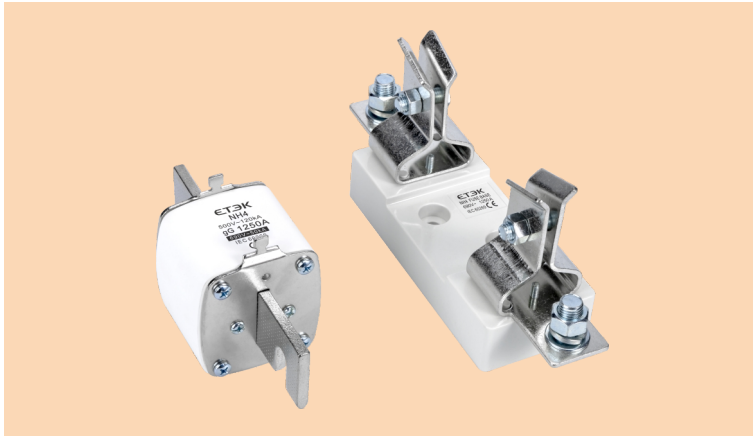
- Rated voltage: 500VAC, 690VAC
- Rated current: 315A~630A
- Breaking capacity: 120kA(500VAC), 50kA(690VAC)
- Rated frequency: 50Hz
- Utilization category: gG/gL
- Pollution level: Level 3
- Installation category: Class III

Main Technical Data

Model	Equivalent models	Rated current (A)	Rated voltage (V)	I ² t (A ² Sec)		Power loss (W) 1.0In
				Pre-arcing	Total at 500V	
NH3-315A	RT16-3 NT3 RT20-3 RO34 3NA3	315	500 690	375000	970000	22
NH3-355A		355		400000	1110000	25
NH3-400A		400		642900	2571500	30
NH3-425A		425		570000	1934000	30
NH3-450A		450		670000	2260000	33
NH3-500A		500		886000	3898400	37
NH3-630A		630		1590000	6996000	47

Dimension (mm)





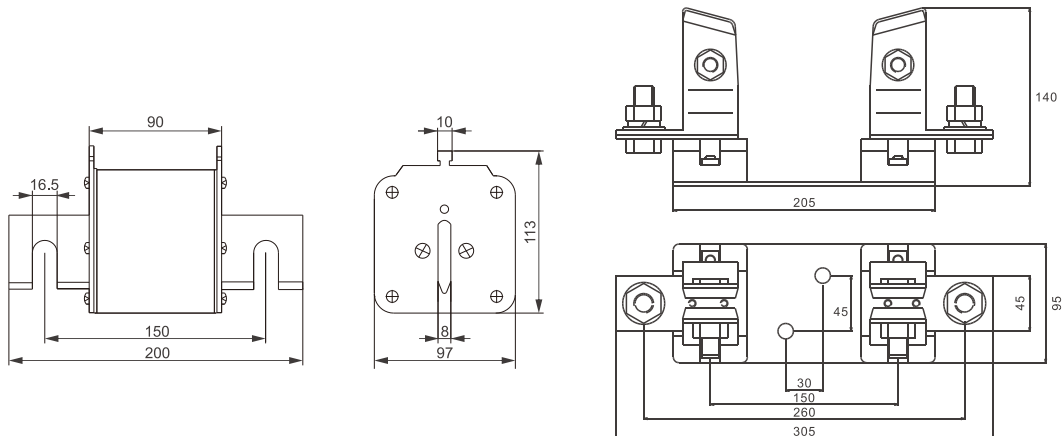
General

- Rated voltage: 500VAC, 690VAC
- Rated current: 500A~1250A
- Breaking capacity: 120kA(500VAC), 50kA(690VAC)
- Rated frequency: 50Hz
- Utilization category: gG/gL
- Pollution level: Level 3
- Installation category: Class III

Main Technical Data

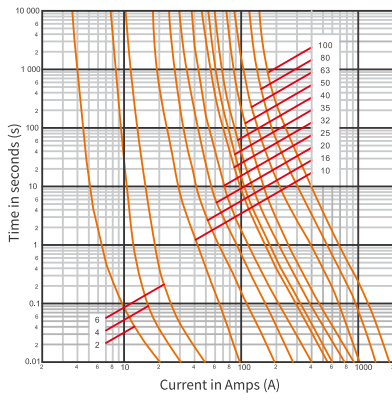
Model	Equivalent models	Rated current (A)	Rated voltage (V)	I ² t (A ² Sec)		Power loss (W) 1.0In
				Pre-arcing	Total at 500V	
NH4-500A	RT16-4 NT4 RT20-4 RO39 3NA3	500	500 690	800000	3850000	37
NH4-630A		630		880000	4100000	48
NH4-800A		800		1500000	6480000	68
NH4-1000A		1000		4800000	13000000	80
NH4-1250A		1250		7000000	18000000	108

Dimension (mm)

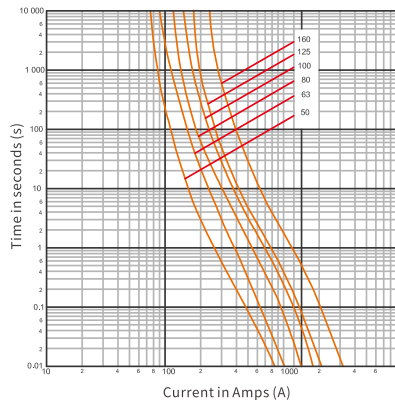


Time-current Characteristics

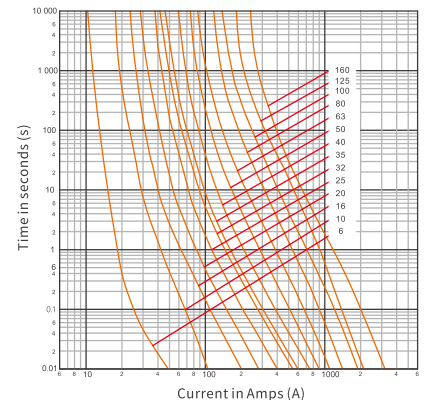
NH Series Fuse



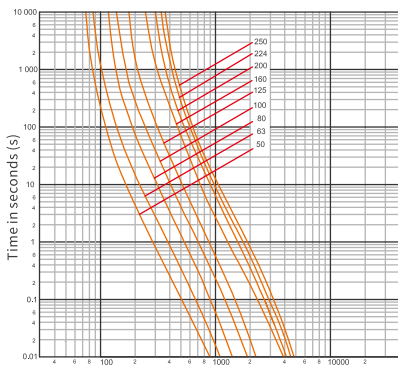
NH000



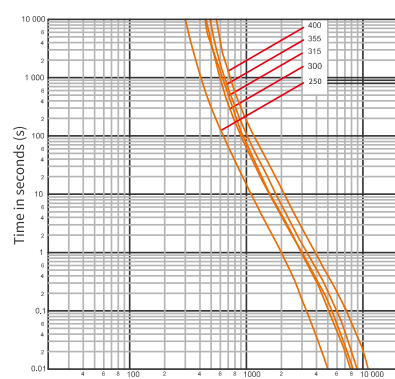
NH00



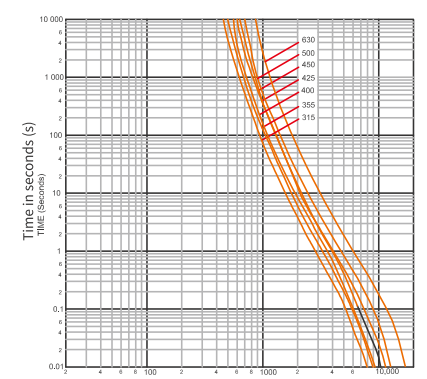
NH0



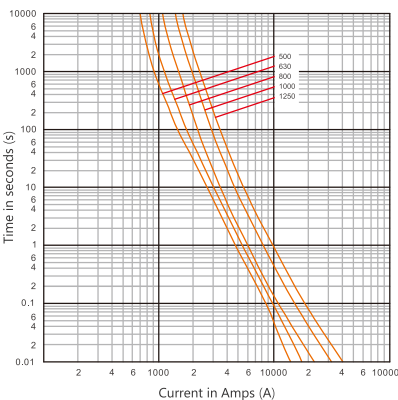
NH1



NH2



NH3



NH4

Fuse Protection of PV Strings



Photovoltaic (PV) fuses are a critical component in solar energy systems. They are designed to provide protection for cables and PV modules from line-line, line-ground, and mismatch faults. Their primary purpose is to prevent fire and safely open a faulted circuit in the event of an overcurrent situation. By incorporating PV fuses, we can ensure the safety of people and equipment while maximizing system efficiency.

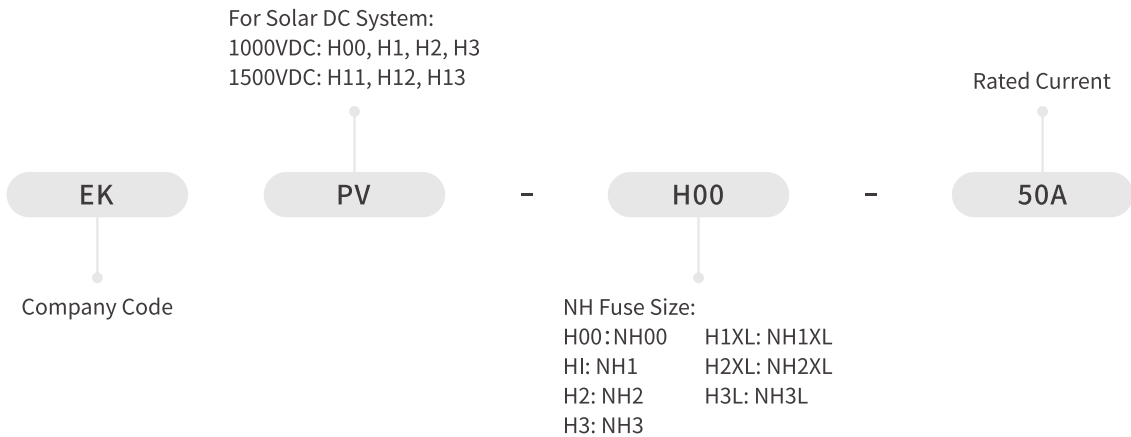
ETEK's gPV photovoltaic solar fuses (NH style fuse link and fuse base, 10x38 mm, 10x85 mm, 14x85 mm cylindrical fuse link and modular fuse base) are specifically designed to protect DC systems up to 1500 VDC. They are suitable for the DC protection of solar panels, combiner boxes, and battery storage etc.

Some key considerations when selecting photovoltaic fuses:

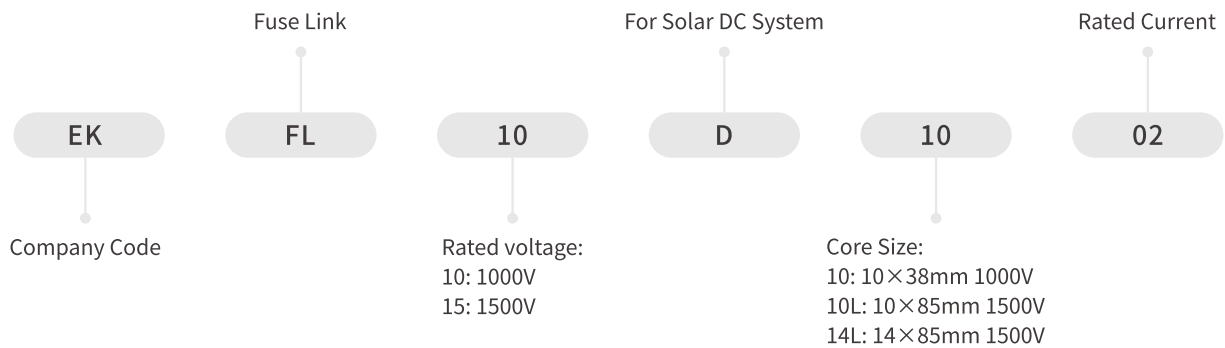
1. **Rated Voltage:** The voltage rating of a fuse must be greater than or equal to the maximum system voltage.
2. **Rated Current:** The fuse should be rated to carry the maximum current that your PV system can produce but not too high that it wouldn't protect the system in case of an overcurrent situation.
3. **Breaking Capacity:** This is the maximum current that can safely be interrupted by the fuse. Fuse datasheets often include breaking current-time characteristics, which can be helpful in determining the appropriate fuse.
4. **Environmental Considerations:** PV fuses must be able to withstand the environmental conditions where they will be installed. This includes temperature extremes, humidity, and exposure to sunlight.
5. **Standards Compliance:** Ensure that the chosen fuse complies with all relevant standards and regulations.

Remember, installing an appropriately rated fuse is essential to protect your solar panel system from potential damage due to overcurrent or short circuit situations. It's always a clever idea to consult with a professional if you're unsure about which fuse to choose.

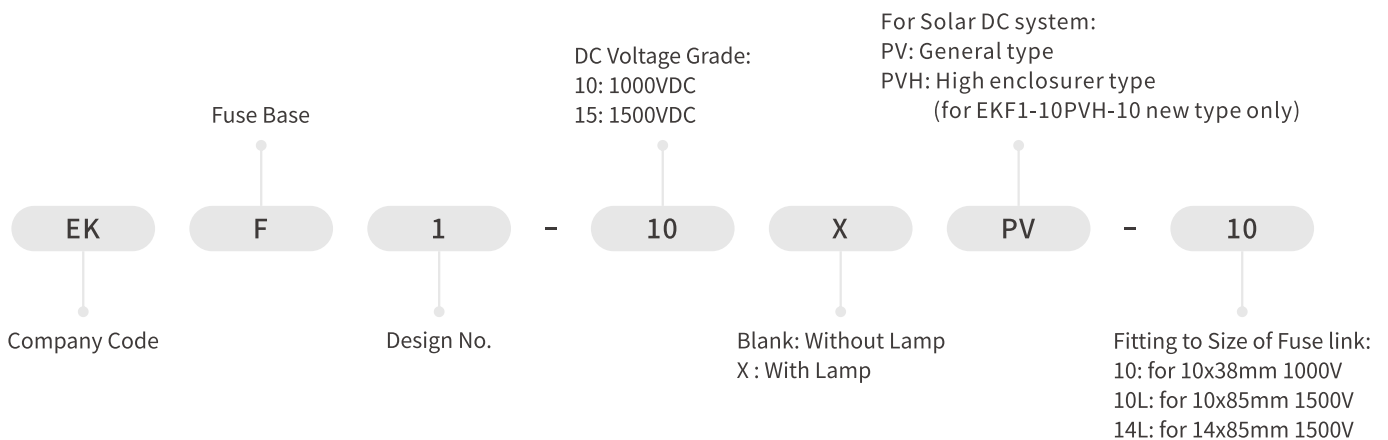
NH Style Fuse Link Selection guide

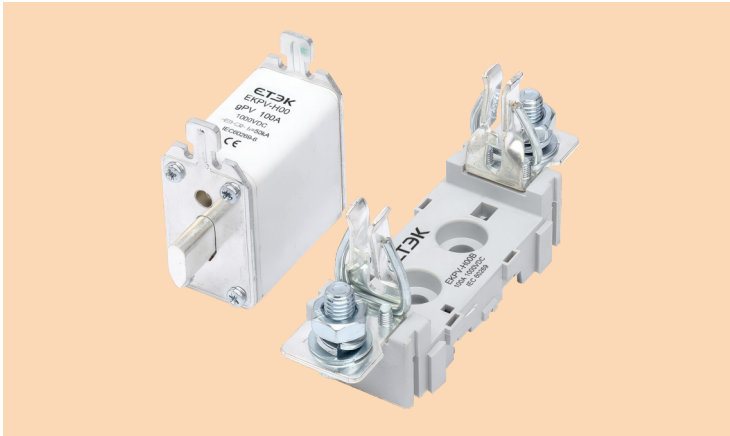


Cylindrical Fuse Link Selection guide



Modular Fuse Base Selection Guide





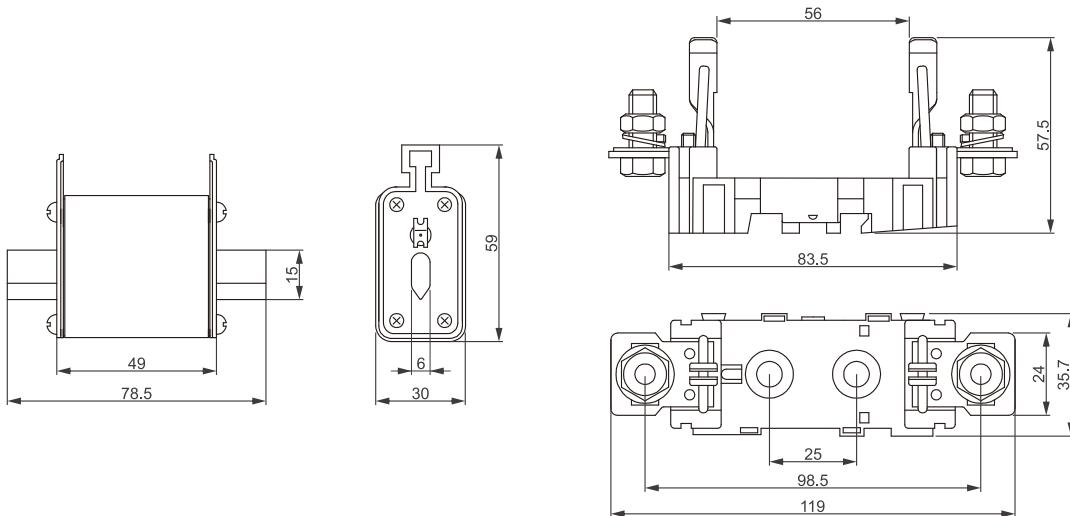
General

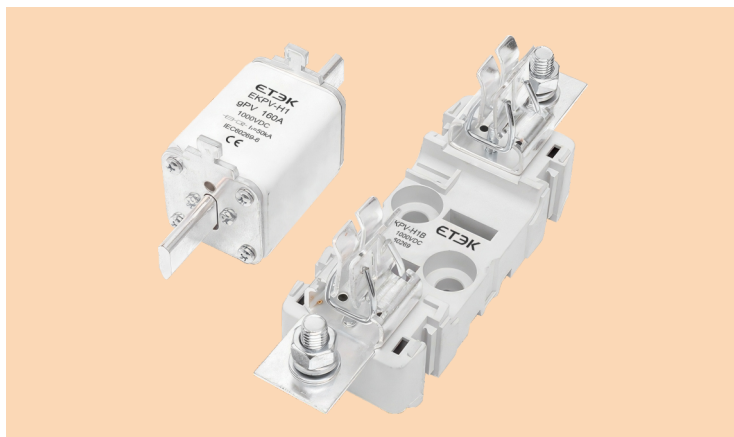
- Standard: IEC60269-6
- Rated voltage: 1000VDC
- Rated current: 32A~100A
- Breaking capacity: 50kA
- Utilization category: gPV
- Ambient temperature: -40°C to +75°C, Max.90% humidity
- Altitude: ≤2000m

Main Technical Data

Model	Rated current (A)	Rated voltage (VDC)	Fuse Base Model	I ² t (A ² Sec)		Power loss (W) 1.0In
				Pre-arcing	Total at 1000VDC	
EKPV-H00-32A	32	1000	EKPV-H00B	60	400	9
EKPV-H00-40A	40			110	710	11
EKPV-H00-50A	50			180	1210	13
EKPV-H00-63A	63			290	2100	18
EKPV-H00-80A	80			510	3550	22
EKPV-H00-100A	100			1050	6880	25

Dimension (mm)





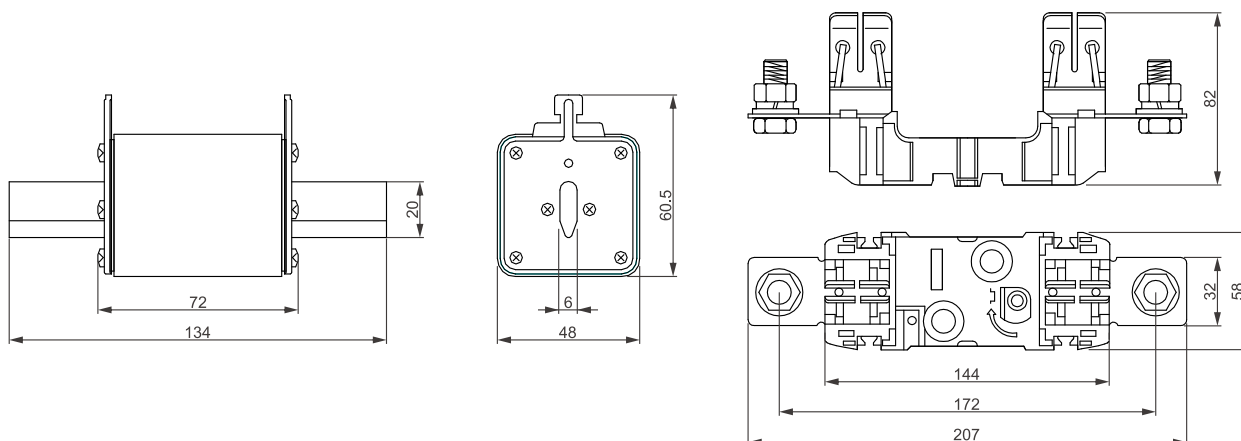
General

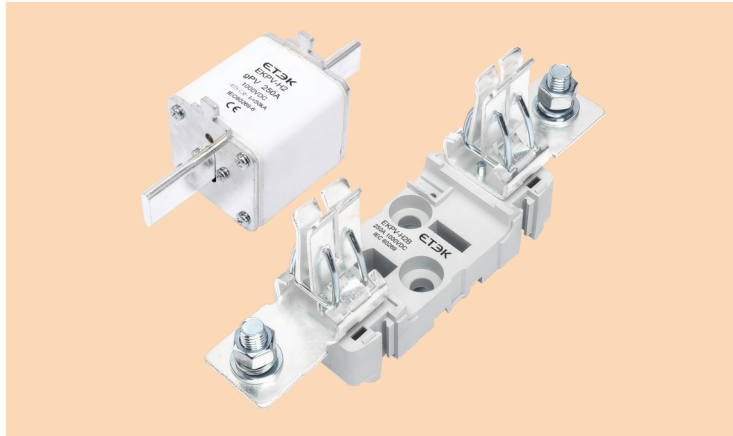
- Standard: IEC60269-6
- Rated voltage: 1000VDC
- Rated current: 50A~160A
- Breaking capacity: 50kA
- Utilization category: gPV
- Ambient temperature: -40°C to +75°C, Max.90% humidity
- Altitude: ≤2000m

Main Technical Data

Model	Rated current (A)	Rated voltage (VDC)	Fuse Base Model	I ² t (A ² Sec)		Power loss (W) 1.0In
				Pre-arcing	Total at 1000VDC	
EKPV-H1-50A	50	1000	EKPV-H1B	420	3800	21
EKPV-H1-63A	63			470	4530	25
EKPV-H1-80A	80			642	5924	28
EKPV-H1-100A	100			1350	11900	31
EKPV-H1-125A	125			2600	22986	41.5
EKPV-H1-160A	160			5540	47728	46

Dimension (mm)





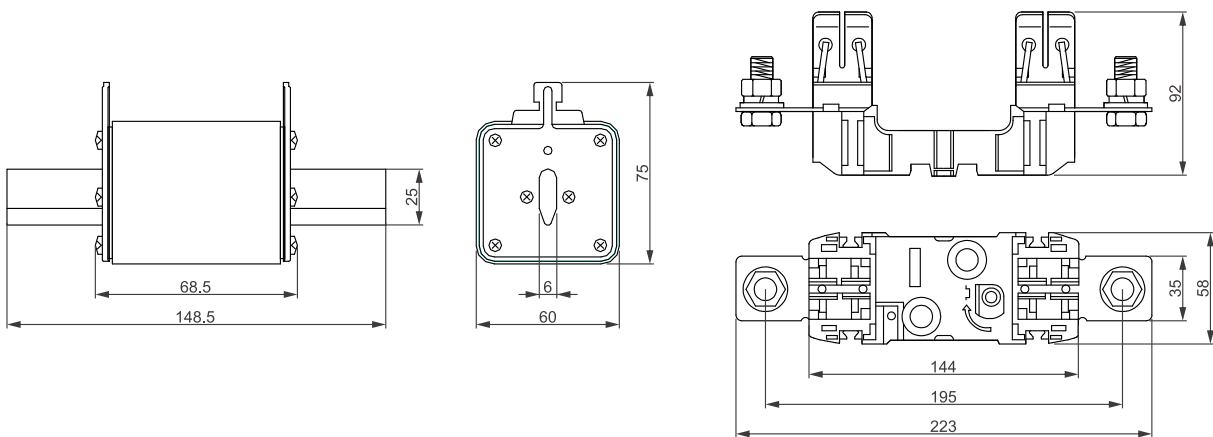
General

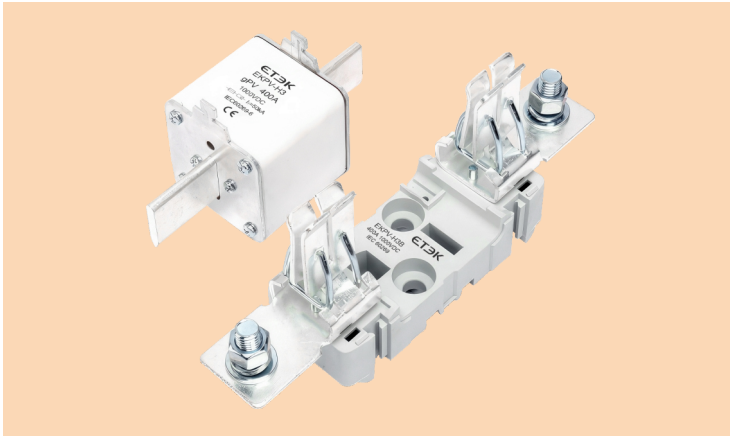
- Standard: IEC60269-6
- Rated voltage: 1000VDC
- Rated current: 125A~250A
- Breaking capacity: 50kA
- Utilization category: gPV
- Ambient temperature: -40°C to +75°C, Max.90% humidity
- Altitude: ≤2000m

Main Technical Data

Model	Rated current (A)	Rated voltage (VDC)	Fuse Base Model	I ² t (A ² Sec)		Power loss (W) 1.0I _n
				Pre-arcing	Total at 1000VDC	
EKPV-H2-125A	125	1000	EKPV-H2B	2280	18100	26
EKPV-H2-160A	160			4800	39000	28
EKPV-H2-200A	200			9700	78000	32
EKPV-H2-250A	250			19000	138000	38

Dimension (mm)





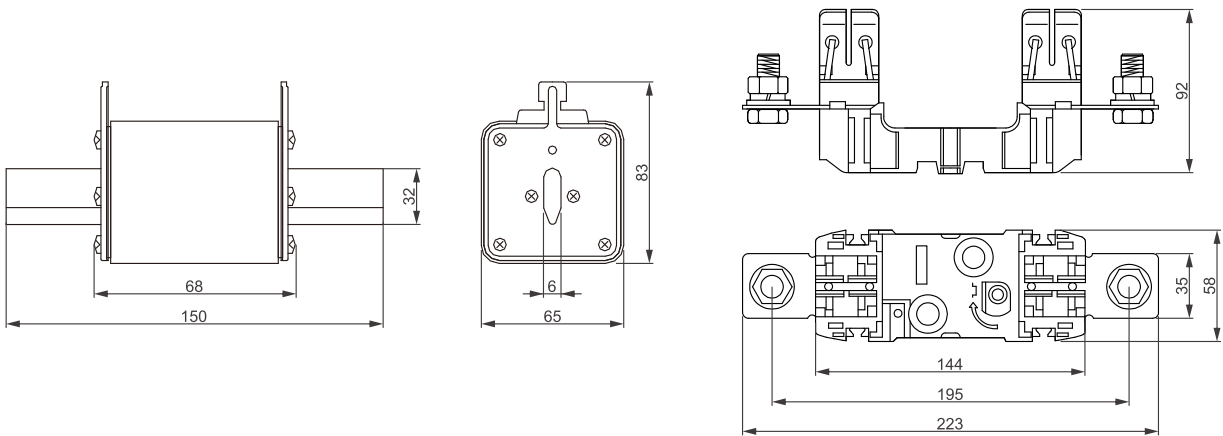
General

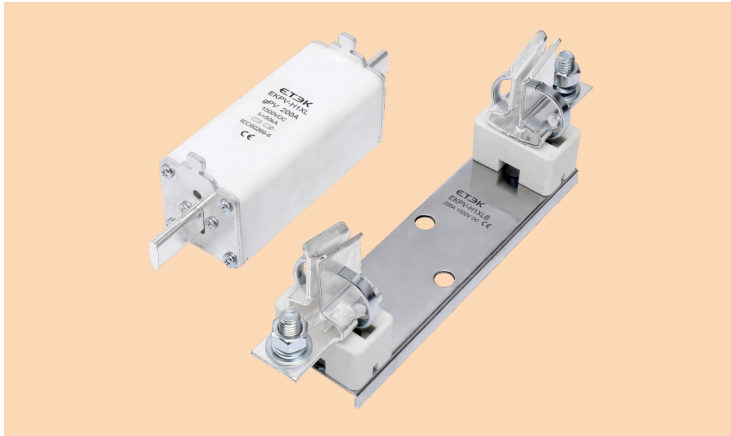
- Standard: IEC60269-6
- Rated voltage: 1000VDC
- Rated current: 250A~400A
- Breaking capacity: 50kA
- Utilization category: gPV
- Ambient temperature: -40°C to +75°C, Max.90% humidity
- Altitude: ≤2000m

Main Technical Data

Model	Rated current (A)	Rated voltage (VDC)	Fuse Base Model	I ² t (A ² Sec)		Power loss (W) 1.0I _n
				Pre-arcing	Total at 1000VDC	
EKPV-H3-250A	250	1000	EKPV-H3B	16250	144700	38
EKPV-H3-350A	350			45500	376400	45
EKPV-H3-400A	400			68700	557500	50

Dimension (mm)





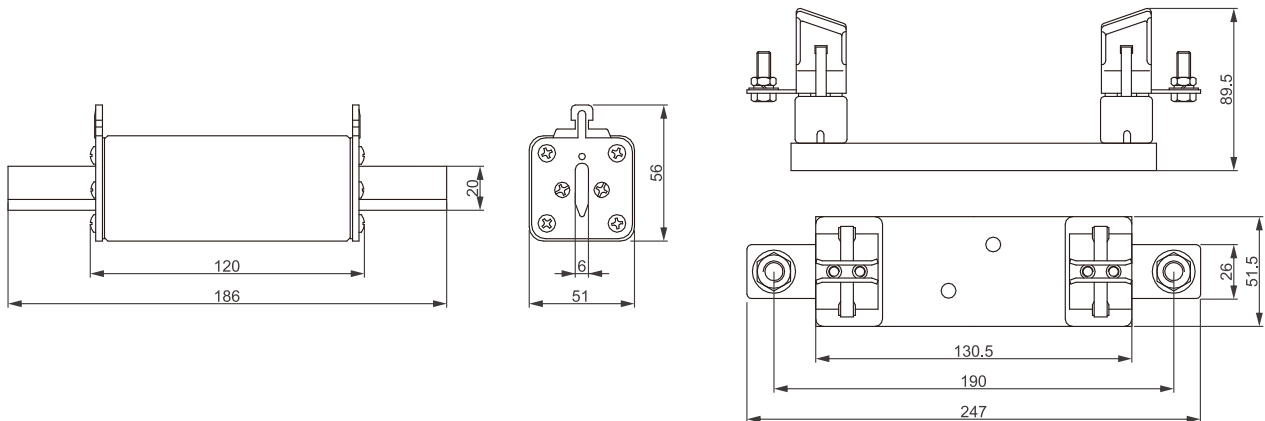
General

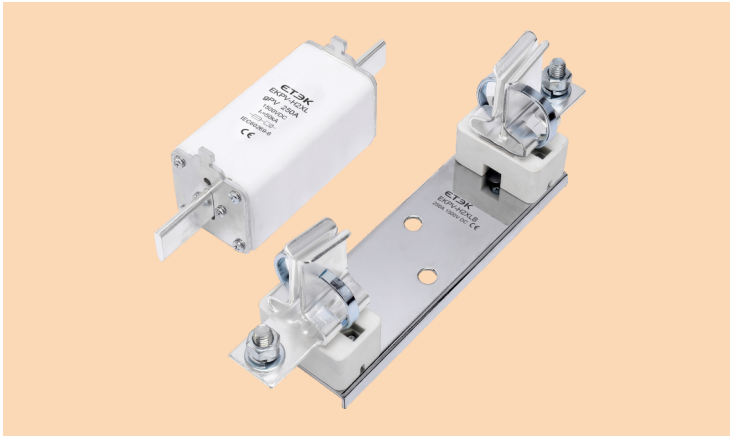
- Standard: IEC60269-6
- Rated voltage: 1500VDC
- Rated current: 63A~200A
- Breaking capacity: 50kA
- Utilization category: gPV
- Ambient temperature: -40°C to +75°C, Max.90% humidity
- Altitude: ≤2000m

Main Technical Data

Model	Rated current (A)	Rated voltage (VDC)	Fuse Base Model	I ² t (A ² Sec)		Power loss (W) 1.0In
				Pre-arcing	Total at 1500VDC	
EKPV-H1XL-63A	63	1500	EKPV-H1XLB	520	2497	30
EKPV-H1XL-80A	80			814	3918	36.5
EKPV-H1XL-100A	100			1270	6120	44.5
EKPV-H1XL-125A	125			1980	9550	54
EKPV-H1XL-160A	160			4280	20500	60
EKPV-H1XL-200A	200			9550	46000	62

Dimension (mm)





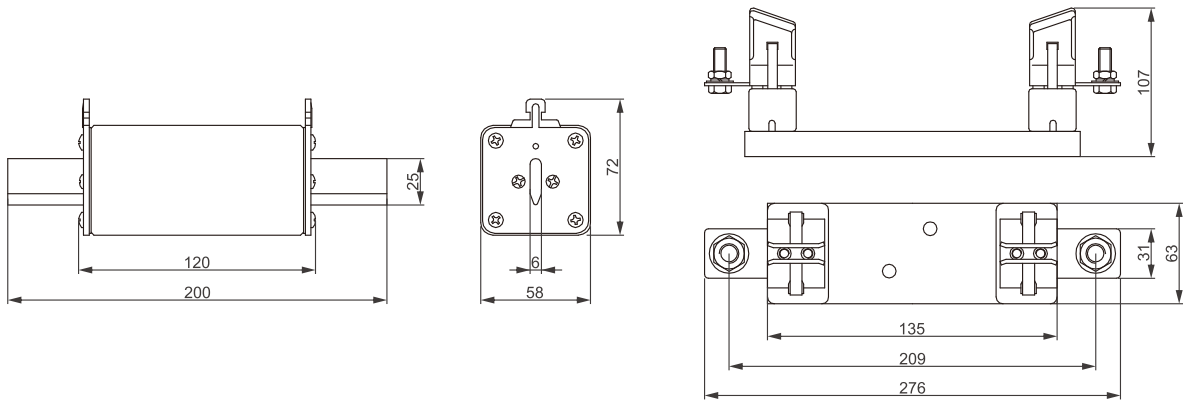
General

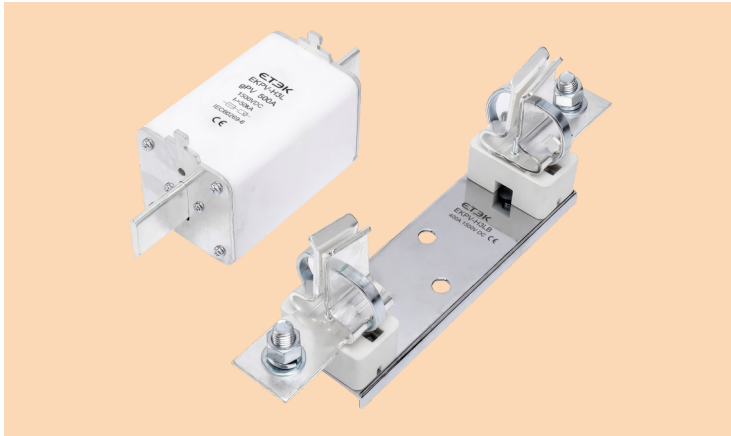
- Standard: IEC60269-6
- Rated voltage: 1500VDC
- Rated current: 125A~250A
- Breaking capacity: 50kA
- Utilization category: gPV
- Ambient temperature: -40°C to +75°C, Max.90% humidity
- Altitude: ≤2000m

Main Technical Data

Model	Rated current (A)	Rated voltage (VDC)	Fuse Base Model	I ² t (A ² Sec)		Power loss (W) 1.0I _n
				Pre-arcing	Total at 1500VDC	
EKPV-H2XL-125A	125	1500	EKPV-H2XLB	2240	11220	38.5
EKPV-H2XL-160A	160			4280	21400	53
EKPV-H2XL-200A	200			9480	46900	56
EKPV-H2XL-250A	250			17000	83200	65

Dimension (mm)





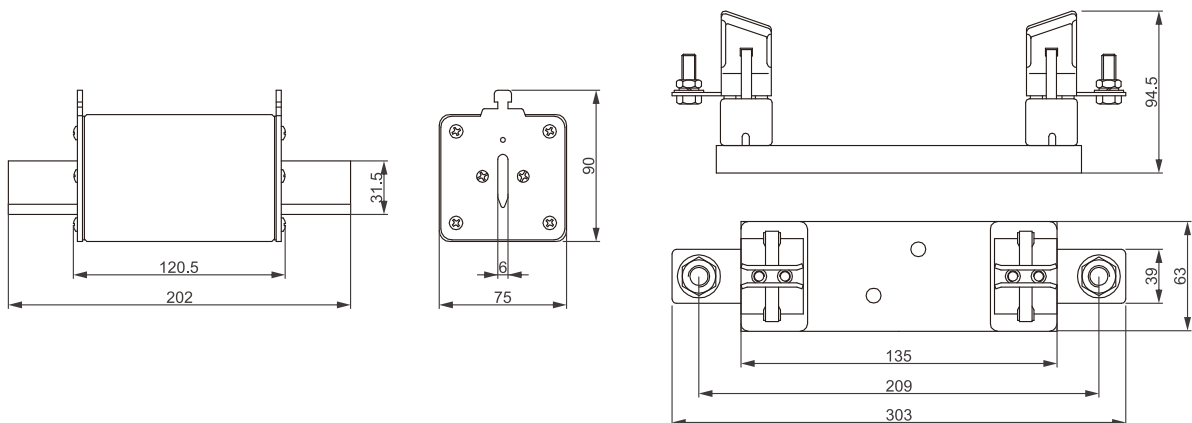
General

- Standard: IEC60269-6
- Rated voltage: 1500VDC
- Rated current: 250A~400A
- Breaking capacity: 50kA
- Utilization category: gPV
- Ambient temperature: -40°C to +75°C, Max.90% humidity
- Altitude: ≤2000m

Main Technical Data

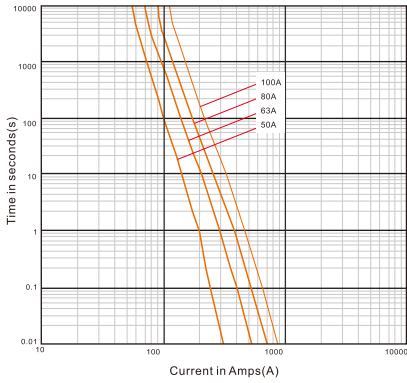
Model	Rated current (A)	Rated voltage (VDC)	Fuse Base Model	I ² t (A ² Sec)		Power loss (W) 1.0In
				Pre-arcing	Total at 1500VDC	
EKPV-H3L-250A	250	1500	EKPV-H3LB	25500	78500	62.5
EKPV-H3L-315A	315			39590	120000	94
EKPV-H3L-350A	350			45400	138000	145
EKPV-H3L-400A	400			57000	174000	166

Dimension (mm)

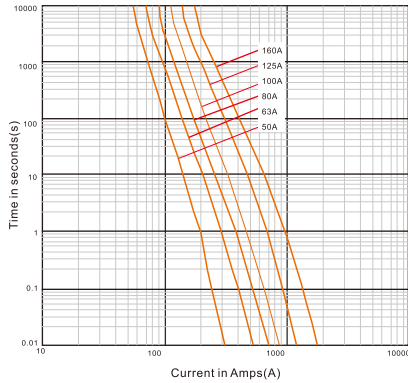


Time-current Characteristics

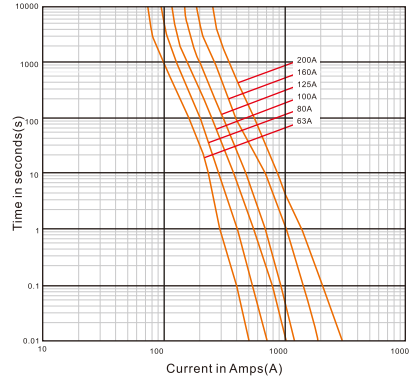
NH Series gPV Fuse



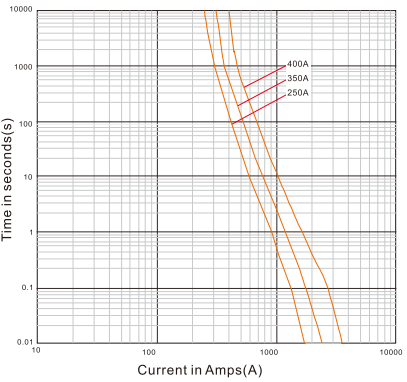
EKPV-H0



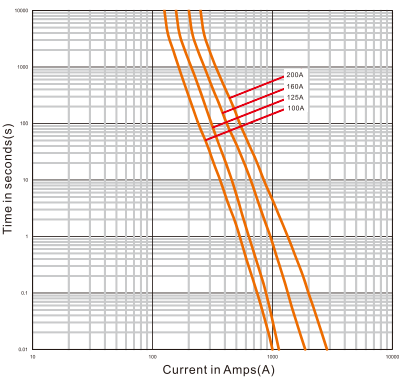
EKPV-H1



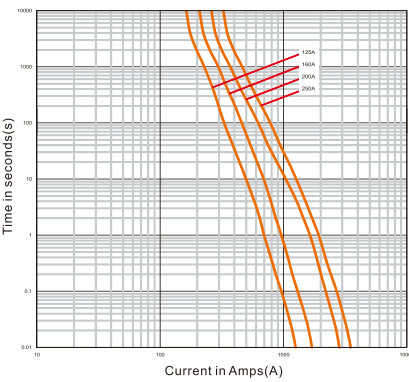
EKPV-H2



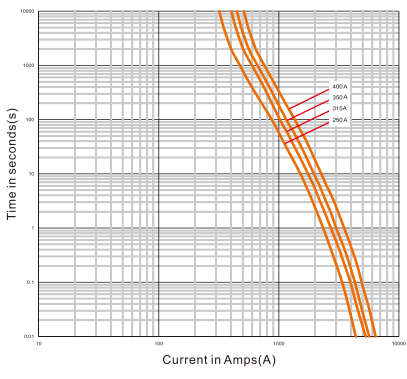
EKPV-H3



EKPV-H1XL



EKPV-H2XL



EKPV-H3L

Cylindrical Fuse Link



General

Rated voltage: 1000V

Rated current: 2A~32A

Core size: 10×38mm

Utilization category: gPV

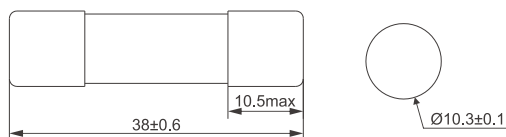
Standard: IEC60269-6

Breaking capacity: 30kA

Main Technical Data

Model	Rated current (A)	I ² t (Amps ² seconds)		Power loss (W)	
		Pre-arcing	Total clear	0.8In	1.0In
EKFL10D1002	2	1.2	3.3	0.68	1.36
EKFL10D1003	3	3.9	11	0.75	1.42
EKFL10D1004	4	10	27	0.94	1.58
EKFL10D1005	5	18	48	0.98	1.83
EKFL10D1006	6	31	89	1.10	1.84
EKFL10D1008	8	3.1	31	1.13	1.86
EKFL10D1010	10	7.2	68	1.21	2.08
EKFL10D1012	12	16	136	1.38	2.62
EKFL10D1015	15	24	215	1.67	2.95
EKFL10D1020	20	38	392	1.92	3.12
EKFL10D1025	25	71	508	2.10	3.46
EKFL10D1030	30	102	821	2.30	3.78
EKFL10D1032	32	264	1020	2.60	4.20

Dimension (mm)



Cylindrical Fuse Link



General

- Rated voltage: 1500V
- Rated current: 2A~35A
- Core size: 10×85mm
- Utilization category: gPV
- Standard: IEC60269-6
- Breaking capacity: 50kA

Main Technical Data

Model	Rated current (A)	I ² t (Amps ² seconds)		Power loss (W)	
		Pre-arcing	Total clear	0.8In	1.0In
EKFL15D10L02	2	4	8	1.0	2.0
EKFL15D10L03	3	6	11	1.1	2.1
EKFL15D10L04	4	8	14	1.2	2.2
EKFL15D10L05	5	11	22	1.4	2.4
EKFL15D10L06	6	15	30	1.5	2.6
EKFL15D10L08	8	9	35	1.8	3.0
EKFL15D10L10	10	10	98	2.2	3.5
EKFL15D10L12	12	12	120	2.5	3.8
EKFL15D10L15	15	14	170	3.0	4.8
EKFL15D10L20	20	34	400	3.5	6.2
EKFL15D10L25	25	65	550	4.0	7.2
EKFL15D10L30	30	95	750	4.5	8.3
EKFL15D10L32	32	116	792	4.8	8.9
EKFL15D10L35	35	143	980	5.0	9.3

Dimension (mm)



Cylindrical Fuse Link



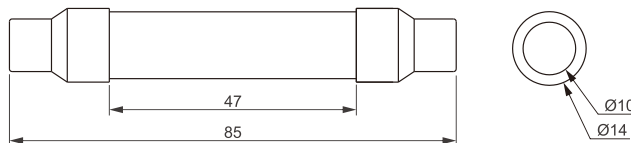
General

- Rated voltage: 1500V
- Rated current: 25A~50A
- Core size: 14×85mm
- Utilization category: gPV
- Standard: IEC60269-6
- Breaking capacity: 30kA

Main Technical Data

Model	Rated current (A)	I ² t (Amps ² seconds)		Power loss (W)	
		Pre-arcing	Total clear	0.8I _n	1.0I _n
EKFL15D14L25	25	160	580	4.3	7.8
EKFL15D14L30	30	230	780	5.0	9.2
EKFL15D14L32	32	250	1050	6.0	11
EKFL15D14L40	40	650	2640	8.2	15
EKFL15D14L45	45	900	3260	8.8	16
EKFL15D14L50	50	1065	3820	10.3	18.8

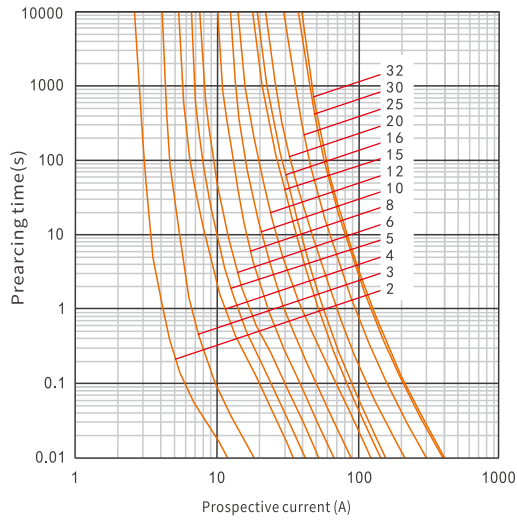
Dimension (mm)



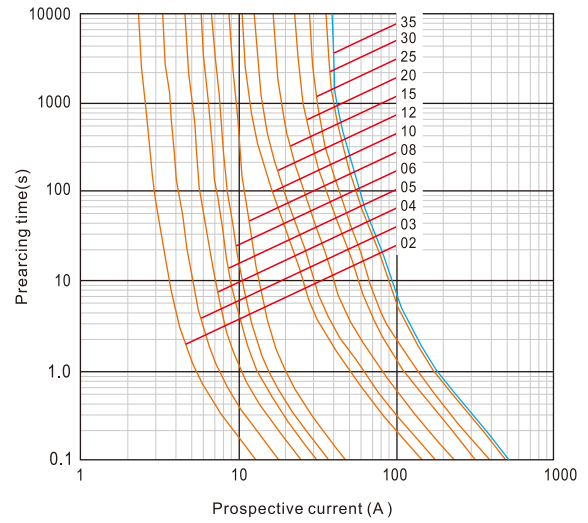
Time-current Characteristics



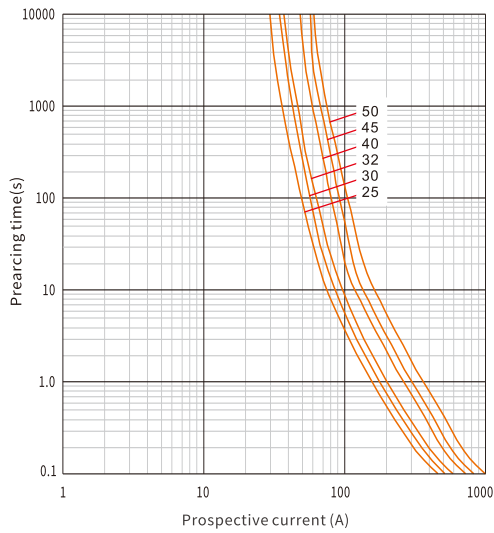
Cylindrical Fuse Link



EKFL10D10



EKFL15D10L



EKFL15D14L

EKF1-10(X)PV

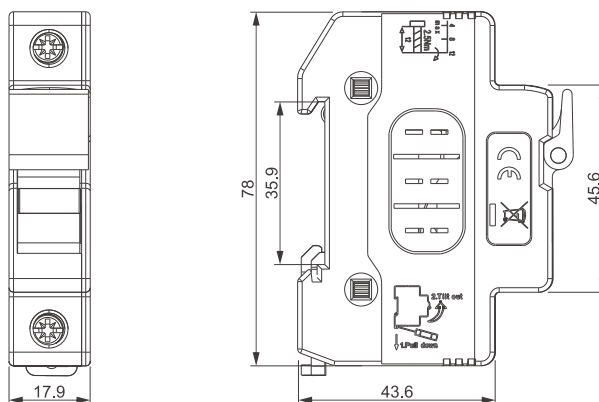
PV Fuse Holder



Main Technical Data

Rated voltage	1000VDC
Rated current	32A
Size of Fuse Link	10×38mm
Protection characteristics	gPV
Mechanical Life	500
Product Width	18mm
Tightening Torque	2.5Nm 14In-lbs
Terminal size for Cable	6mm ² 8-18AWG
Ambient temperature	-20°C~+55°C
Storage Temperature	-25°C~+70°C
Standard	IEC60269-6, IEC60947-3
Mounting	On DIN rail EN60715(35mm) by means of fast clip device

Dimension (mm)

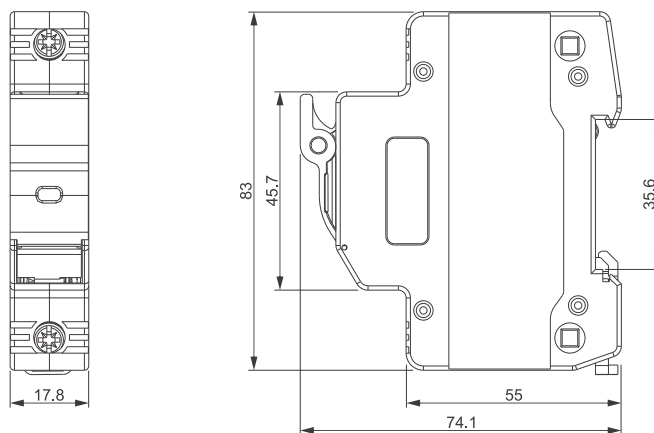




Main Technical Data

Rated voltage	1000VDC
Rated current	32A
Size of Fuse Link	10×38mm
Protection characteristics	gPV
Mechanical Life	500
Product Width	18mm
Tightening Torque	2.5Nm 14In-lbs
Terminal size for Cable	6mm ² 8-18AWG
Ambient temperature	-20°C~+55°C
Storage Temperature	-25°C~+70°C
Standard	IEC60269-6, IEC60947-3
Mounting	On DIN rail EN60715(35mm) by means of fast clip device

Dimension (mm)

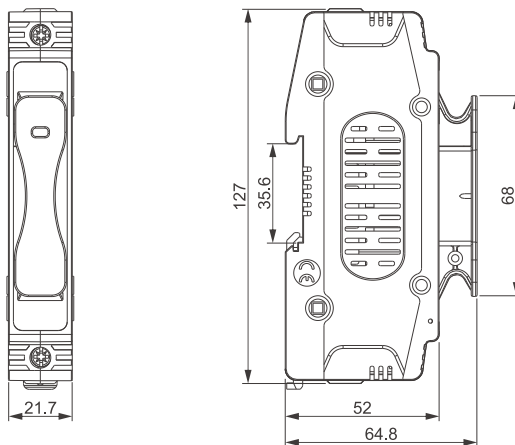





Main Technical Data

Rated voltage	1500VDC
Rated current	50A
Size of Fuse Link	10×85mm, 14×85mm
Protection characteristics	gPV
Mechanical Life	500
Product Width	22mm
Tightening Torque	2.5Nm 14In-lbs
Terminal size for Cable	10mm ² 8-18AWG
Ambient temperature	-20°C~+55°C
Storage Temperature	-25°C~+70°C
Standard	IEC60269-6, IEC60947-3
Mounting	On DIN rail EN60715(35mm) by means of fast clip device

Dimension (mm)



 The product data referred to in the company shall be subject to material object. Subject to change without notice.
The company has the final right to interpret.

 Green paper printing.

Tel-
0086-577-62780116

Fax-
0086-577-62774090

Email-
info@etek-china.com

No. 288 Wei 17th Road,
Economic Development Zone,
Yueqing City Zhejiang China.

ETEK[®]
E TEK ELECTRIC

ZHEJIANG ETEK
ELECTRICAL TECHNOLOGY CO.,LTD.

